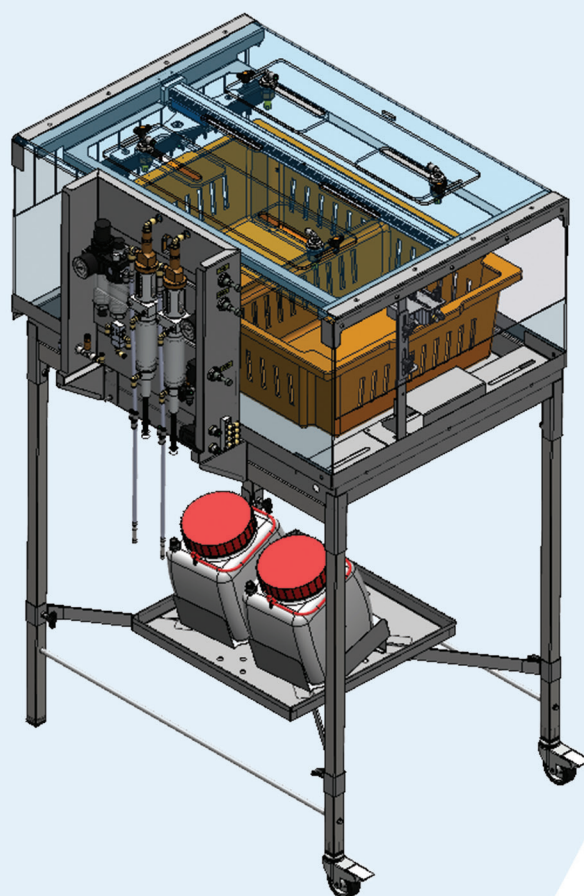


PNEU-CABINETS

Valery
technologies



PNEU-CABIN SPRAY/GEL MANUAL EVO

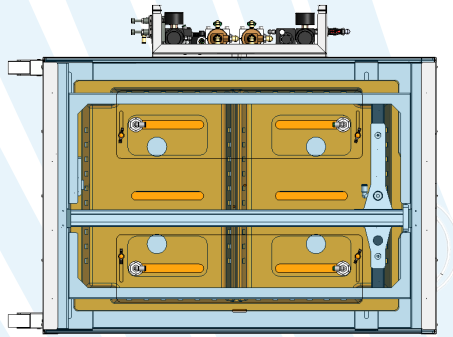
Ref. TB.2.00 of 11/08/2023

TECHNICAL BROCHURE

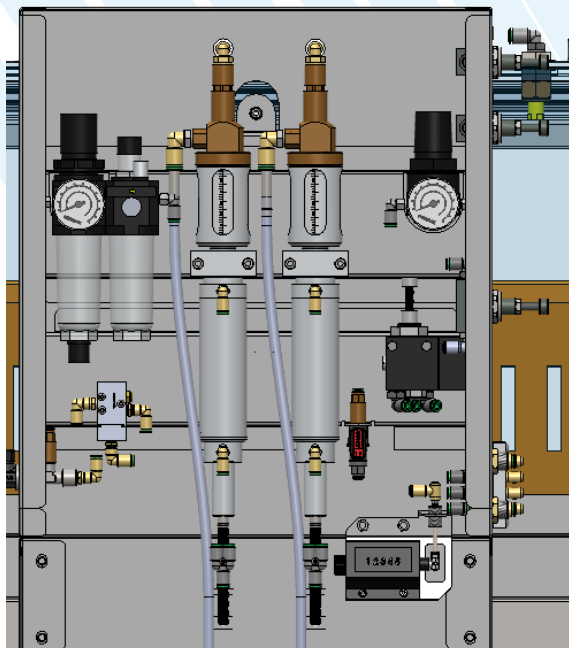
Valery technologies

DESCRIPTION

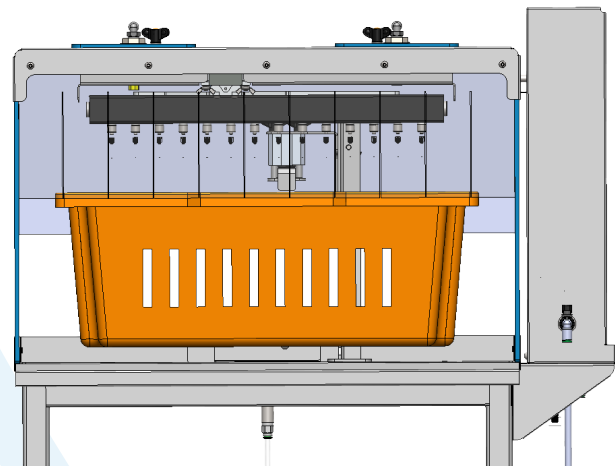
Pneu-Cabin Spray/Gel Manual Evo, is the evolution of the ELITE Valery Cabinets. Is thought to administer gel and spray vaccine simultaneously or individually. The price and easy set up make it the perfect product for small and medium hatcheries.



All the parameters are adjustable using the command box on the front of the machine, also the speed of the bar and of the piston. That permits you to adapt the dispensing to every kind of box and gel product.



The device is equipped with 4 nozzles adjustable in 4 directions to fit with every box, and a gel bar with 14 needles that moves through the cabin to cover all the chick boxes.

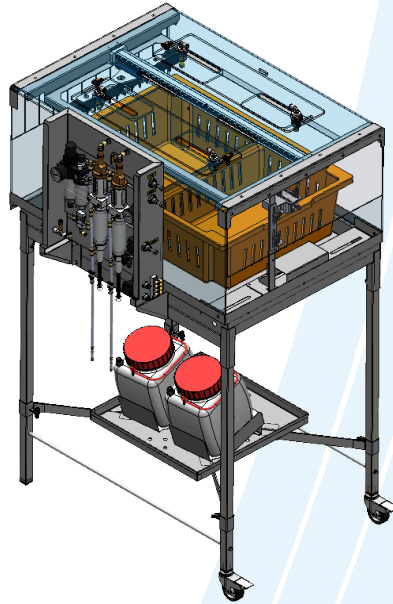


After a few tests on the machine, simulating a 'standard' condition, (18ml spray; 25ml gel; 100 chicks) the machine completes a full cycle of administration in about 8-10 seconds (including the operation of insert and take out the box).

The machine like every other cabinet works at least at 5 bar of pressure and is equipped with a system to lock the box until the end of administration, to ensure that every box will be fully vaccinated. 2 tanks of 5 liter will be supplied with the machine.

Valery

technologies



SPECIFICATION

CAPACITY:	Up to 360'000 chicks per hour
WEIGHT:	27 Kg
DIMENSIONS (HxDxL):	118 x 52 x 81 cm
INCLUDED WITH THE MACHINE:	Basic spare parts kit 2 tank 5l of capacity Extra nozzle needle
MATERIALS:	Stainless steel Food grade plastic Rubber Polycarbonate



Valery Technologies is a division of Giordano Poultry Plast SpA

Via Bernezzo, 47 12023 Caraglio (CN) Italy

Tel. +39 0171 619715 - Email: info@valerytech.net